

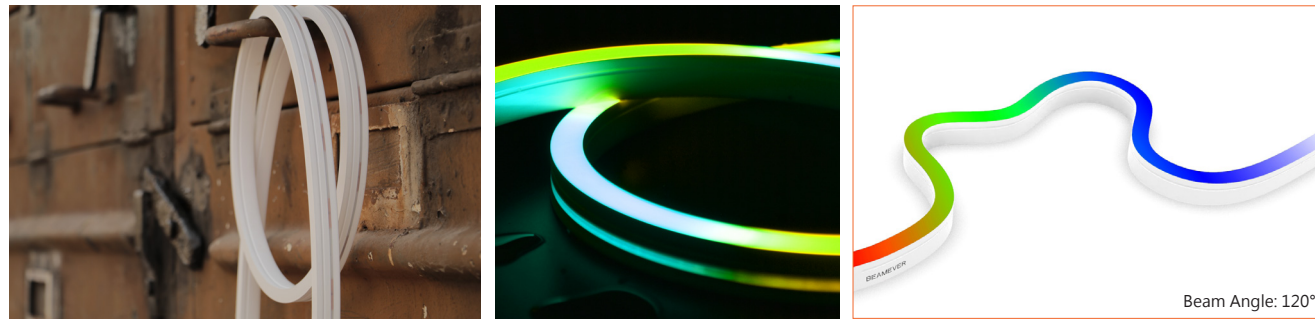
Beamever

LINIO NEON 1220 SV PIXEL RGBW

IP67 protection with high performance silicone, UV resistant, solvents resistant. Seamless line in 30Mtrs roll.

One BIN Only to ensure perfect color consistency



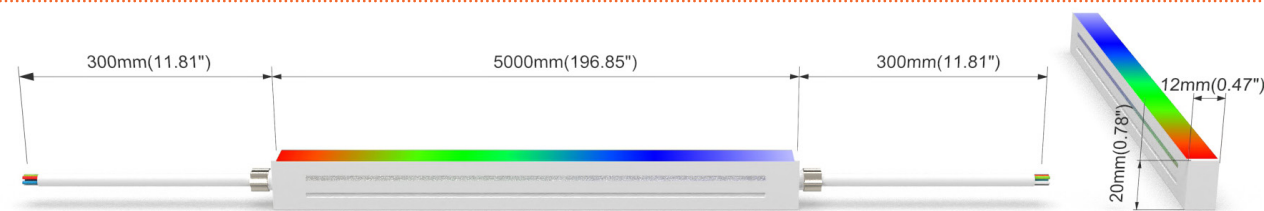
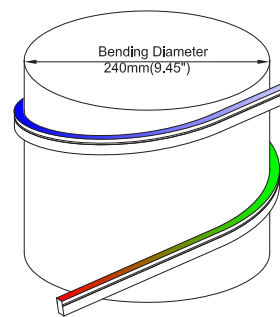


LINIO NEON 1220 SV PIXEL RGBW

- Side view, horizontal bending with radius of 120mm/4.72".
- DC24V, the cross section size 12mm x 20mm /0.47" x 0.79" (W x H).
- IP67 protection, high-end quality of silicone, UV resistant, and solvents resistant.
- 30m/reel(98.43ft/reel) maximum. Max. Run length refers to single side feed in serial connection.
- Easy to be cut and reconnected at project-setting needs.
- Custom length and other customize services are available for better service you.
- Can be directly connected to any standard DMX controller, no need any decoders.

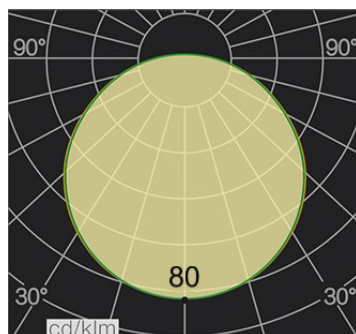
Product Benefits:

- Offers the best homogeneous and flawless luminance to each corner shined.
- Durable and trustful as a long-term application to save your time and costs.
- Well-designed, and 'green-energy' to stay healthy and beautiful all the time.



Electrical data

Voltage	DC24V (23.5V _{min} 24.5V _{max})
LED PIN Temperature	Max. 65°C /149°F
Storage Temperature	-25°C /-13°F _{min} 60°C /140°F _{max}
Ambient Temperature	Ta _{min} = -25°C /-13°F; Ta _{max} = 35°C /95°F@4.27W Ta _{max} = 55°C /131°F@1.07W(Single Color)
Power(W/ft)	4.27
Efficacy (lm/W)	17lm/W@RGBW40 4.27W
Gray Scale	256
Pixel/M	8
Control Mode	DMX 512



CCT	Lumen/ft	Max. Watt (W/ft)	Max. Run Length (ft)	Cut Increments (inch)
R	7	1.07	16.40	4.92
G	21	1.07	16.40	4.92
B	6	1.07	16.40	4.92
W27	36	1.07	16.40	4.92
W40	39	1.07	16.40	4.92
W53	37	1.07	16.40	4.92
RGBW40	73	4.27	16.40	4.92

Important notice

- The given data are typical values due to the tolerances of the production process and the electrical components, values for light output and electrical power can vary up to 10%.
- The given color temperature is neon flex (after extrusion) color temperature.
- Standard cable length is 30cm/11.81", if longer cable required, please contact us.
- Male and female connectors are available if needed.
- It is IK08 rated. Please use protection materials if it is walk over application.

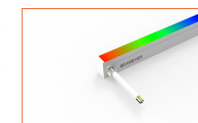


Order code

SERIES NAME	COLOR	LENGTH	POWER	CABLE ENTRY
LN1220SV PIXEL RGBW	27= 2700K	4.92"-1181.10"	427=4.27W	F=FRONT
	40= 4000K			S=SIDE
	53= 5300K			B=BOTTOM



Front Cable Entry
Suitable for power feed in or straight connection. Do not bend down or aside too sharp.



Side Cable Entry
It can achieve perfect seamless light connection if the cabling space is allowed on the side.



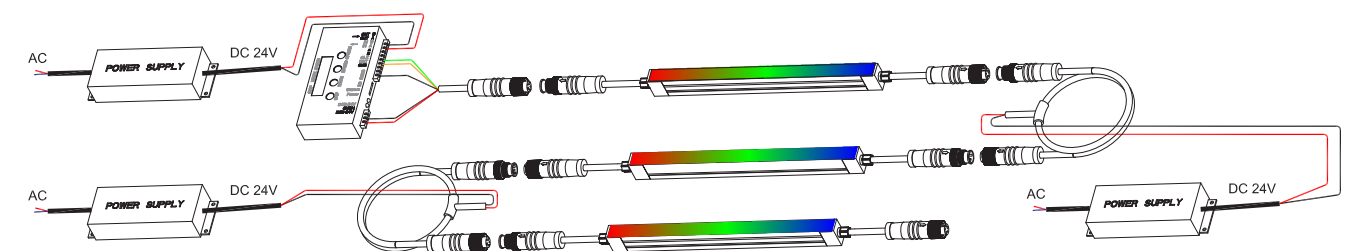
Bottom Cable Entry
It can achieve perfect seamless light connection if the cabling space is allowed from the bottom.

Example: LN1220SV PIXEL RGBW40-98.43-427-F: LINIO NEON 1220 SV PIXEL RGBW, W=4000K, 98.43"/reel, 4.27W/ft, Front cable entry.

Accessories

Art.#	Description	Picture	Art.#	Description	Picture
SC002	1m/3.28ft anodized aluminium channel for LINIO NEON 1220 SV		MF022	Extension connectors, 1m/3.28ft IP67, 5PIN	
M0003	Stainless steel clip		MF023	Extension connectors, 5m/16.40ft IP67, 5PIN	
E0013	End cap with 30cm/11.81" cable 5PIN for LINIO NEON 1220 SV RGBW (Front / side /bottom cable entry)		XLG-150-24-A	PSU 24V/150W IP67, Non-dimmable, White, 100-305V supply	
E0009	Closed end cap for LINIO NEON 1220 SV RGBW		K-1000C	SD Card program Controller DC5-24V, 2W output, 128MB-3GB capacity	
G0002	Silicone glue		SM-XMQ 1000A	Coder 9PCS built-in effects, only support DMX512 protocol chip	
MF021	Male and female connectors, 30cm/11.81" IP67, 5PIN		T-780K	DMX Controller, DC5-24V, 8 channels, 5W output, Madrix system compatible	

Wiring connection



Application



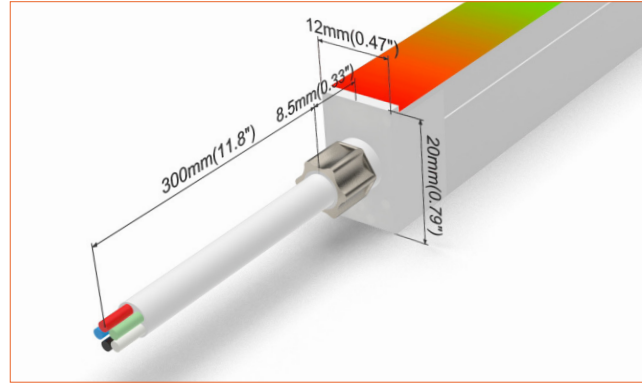
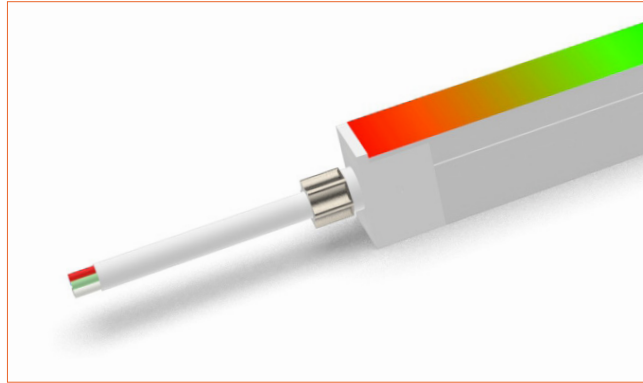
Where to use the product?

LINIO NEON 1220 SV PIXEL RGBW is a pixel neon flex and each of the RGBW LED pixel (group of 10 LEDs) is individually addressable, so you can set the color for each of them independently. It is always the eye-catching dynamic lighting champion.

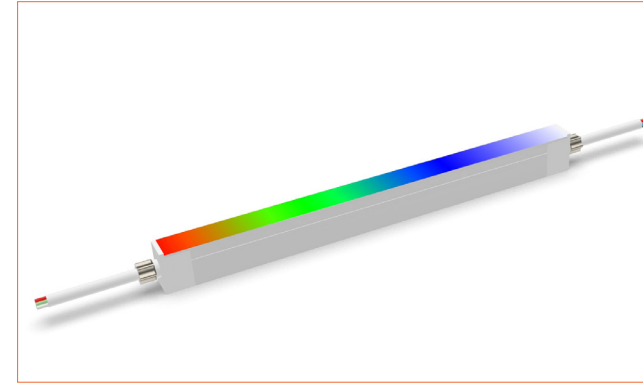
Specifically, it can help you beautify both external and internal projects. For example, to beautify a big project like a shopping mall, the outside surrounding, billboard, walls, sidewalk, trees, etc. Services your architectural lighting, and other decorative lighting needs.

Beamever

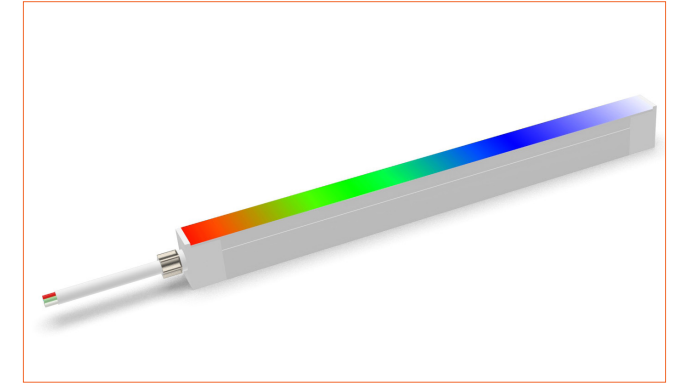
Front Cable Entry
Suitable for power feed in or straight connection. Do not bend down or aside too sharp.



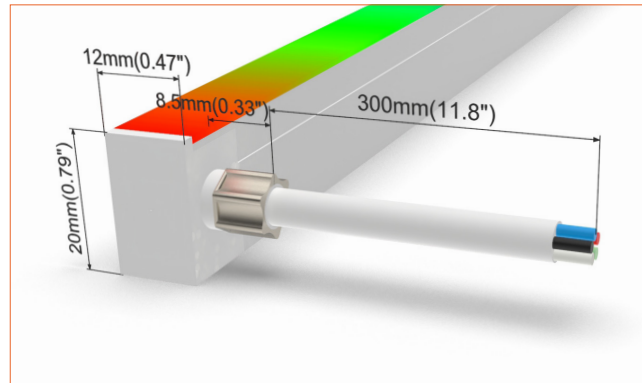
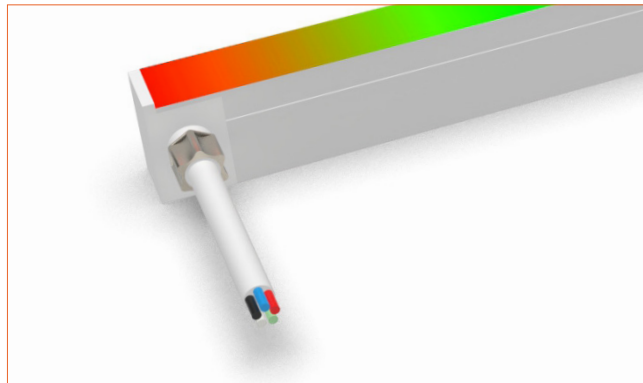
Front double wire end: 30cm/11.81" cable from two ends, front cable entry.



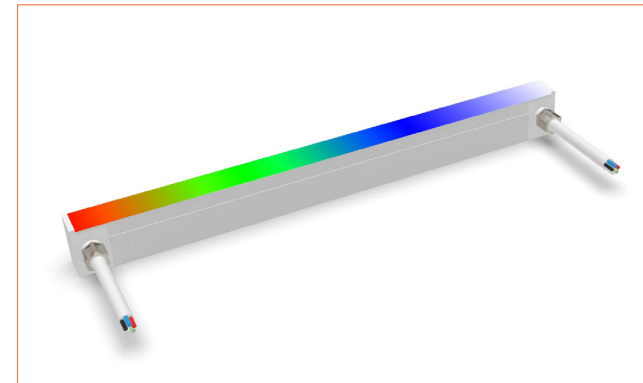
Front single wire end: 30cm/11.81" cable from one end, front cable entry.



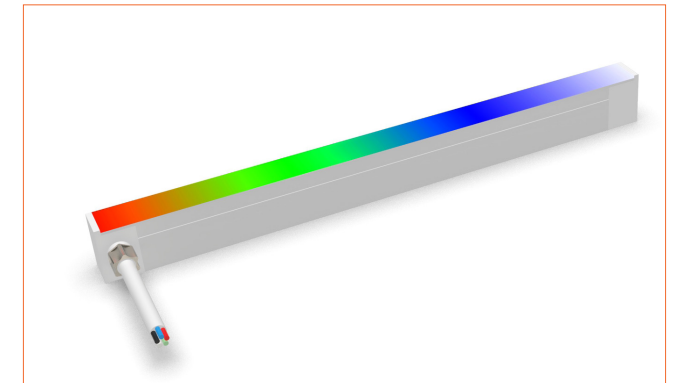
Side Cable Entry
It can achieve perfect seamless light connection if the cabling space is allowed on the side.



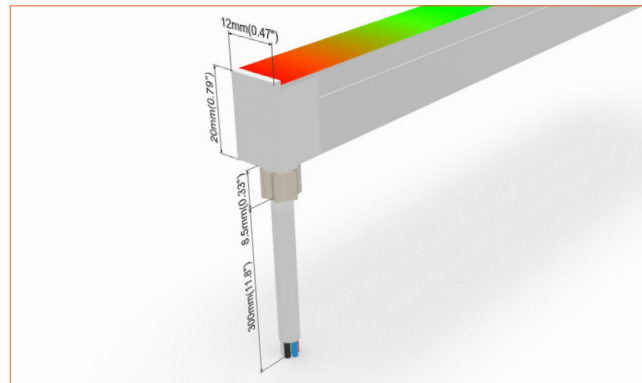
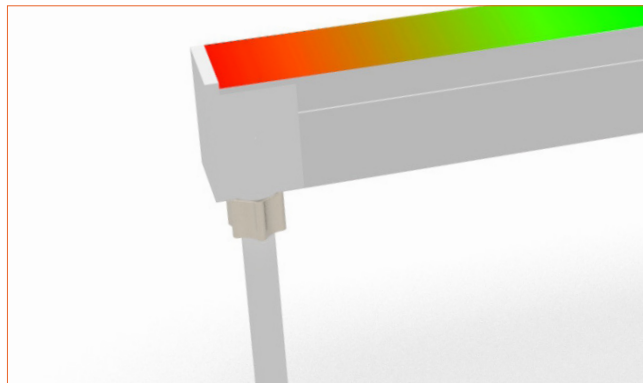
Side double wire end: 30cm/11.81" cable from two ends, side cable entry.



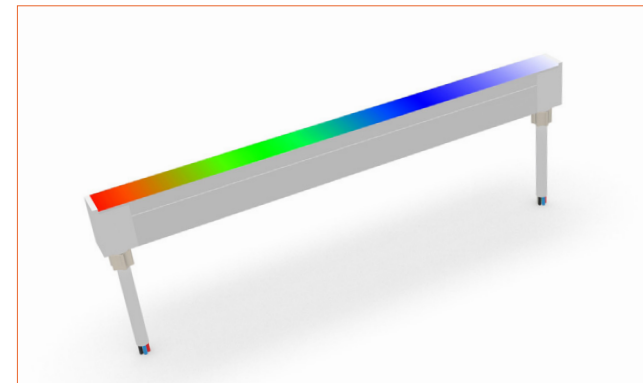
Side single wire end: 30cm/11.81" cable from left one only (side cable entry), other end with closed end cap.



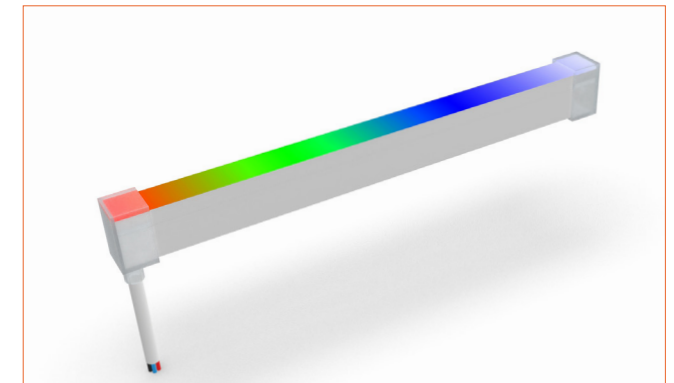
Bottom Cable Entry
It can achieve perfect seamless light connection if the cabling space is allowed from the bottom.



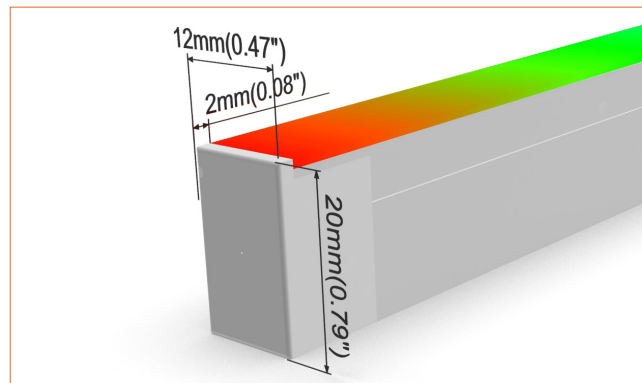
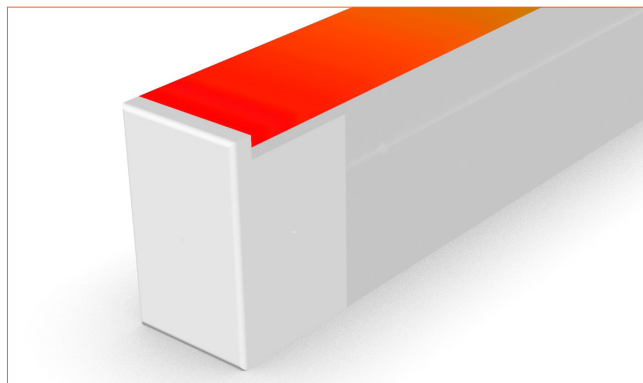
Bottom double wire end: 30cm/11.81" cable from two ends, bottom cable entry.



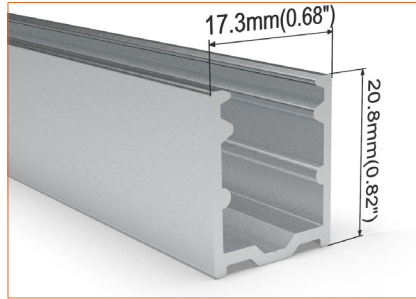
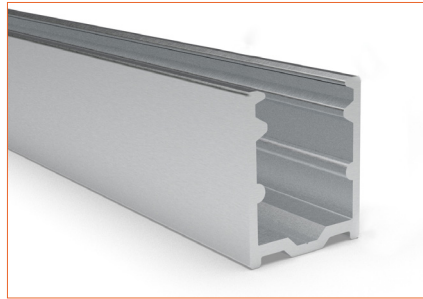
Bottom single wire end: 30cm/11.81" cable from left one only (bottom cable entry), other end with closed end cap.



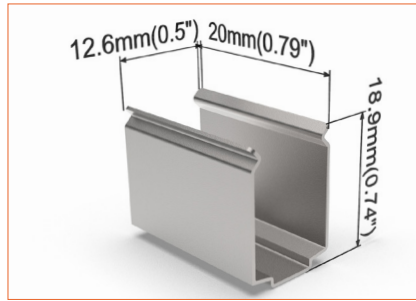
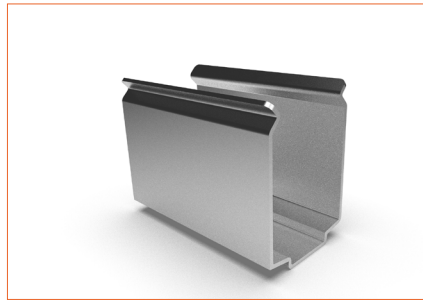
Closed end cap
Elegant injecting closed end cap in same size as neon flex body.



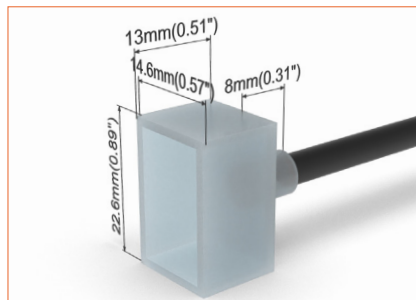
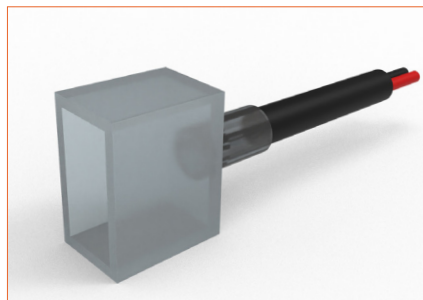
Beamever



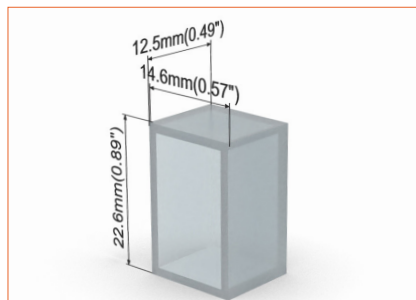
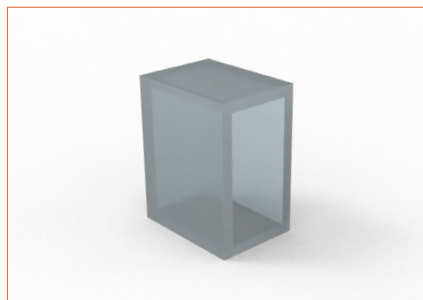
SC002
Straight aluminium channel
Length 1mtr/3.28ft



M0003
Stainless steel mounting clip



E0013
End cap with 30cm/11.81" cable



E0009
Closed end cap



Beamever

Address: 100 N Howard St Ste R,
Spokane, WA, 99201-0508 USA
Tel: 323-5104660
info@beamever.com
www.beamever.com