

LINIO NEON GRAZE

Installation Instructions

Beamever

ATTENTION: This product should be installed by a professional licensed electrician.

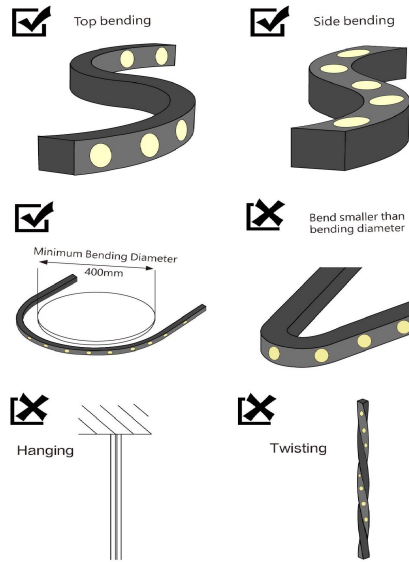
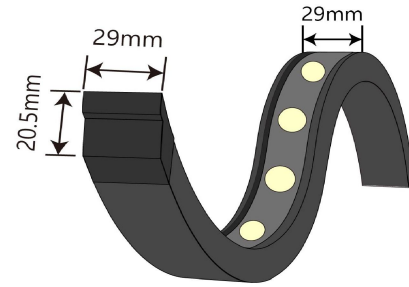


Before you start

- 1 Verify all product is accounted for and in good condition. If not, skip installation instructions and see contact information at the bottom.
- 2 Please check local electrical codes.
- 3 Turn power off before installing, and make sure to use properly rated wire.
- 4 Modifying or not following instructions will void the warranty for this product.
- 5 Please read the instructions entirely before starting installation.
- 6 For specifications that call for more intricate installations, please don't hesitate to contact us at info@beamever.com.

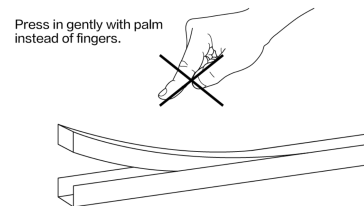
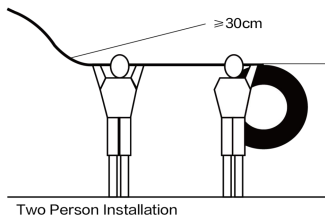
Warning

- 1 Please operate this product by instructions, and confirm the work voltage, it must be matched with product requirements.
- 2 This product is not field cuttable. Any wrong operation will damage this product.
- 3 Use qualified DC power supply.
- 4 The most suitable operation temperature shall be $-40\sim 60^{\circ}\text{C}$ ($-40\sim 140^{\circ}\text{F}$). DO NOT operate light when ambient temperature exceeds this range.
- 5 DO NOT energize the light over 30 minutes in coil packaging.
- 6 Please make sure the product does not stick with any paper related material directly.
- 7 The maximum bend diameter is 400mm. DO NOT overbend it which may cause product damage. Do not twist, drop, hang the product in any way other than intended. This product can bend vertically&horizontally in relation to its light output.



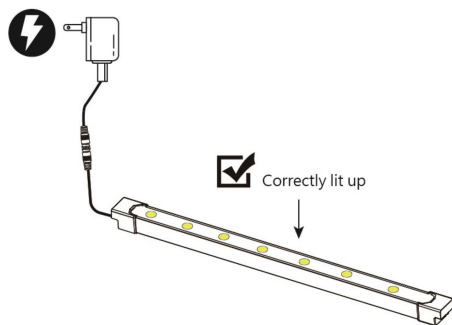
Installing Neon

- Note**
- It is recommended that installation is performed by at least 2 persons to ensure proper handling of the product and prevent damage to the internal and external construction.
 - Please make sure to install the product into profile carefully and correctly. Taking out the product and re-assembling will most likely damage the product.
 - Only use hands to install fixture into mounting clips or channels.
 - Install the neon from one direction to avoid choking in the middle.
 - Press the neon into the profile gently with palm instead of fingers.

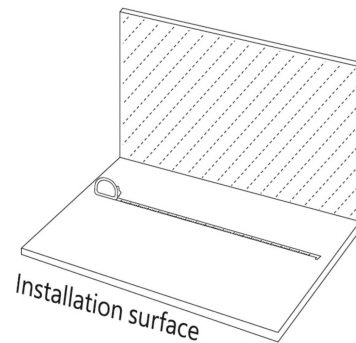


01 Installing with Mounting Clips

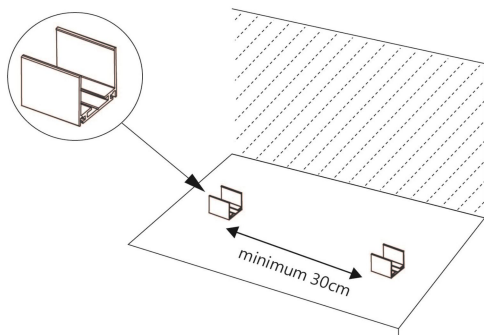
Step 1 Perform a quick light-up test. Proceed to the next step ONLY after the neon is lit up.



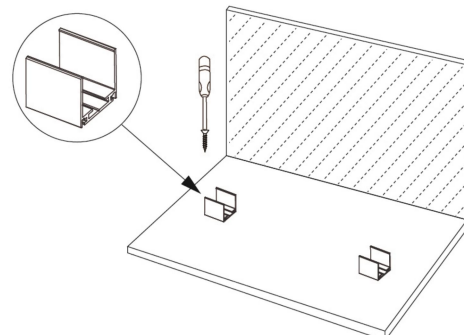
Step 2 Determine the desired location and lengths of neon to be installed. Leave enough distance for power cable to reach the power supplies.



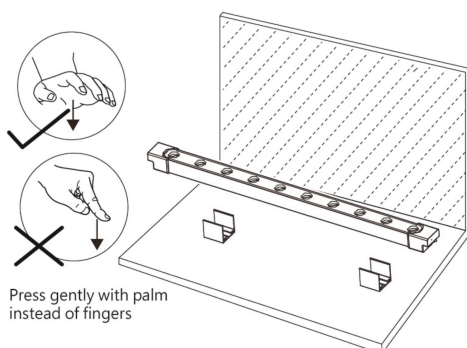
Step 3 Determine the locations and quantity of the mounting clips based on the information from Step 1. It is recommended to use ONE mounting clip for 30 cm of the neon.



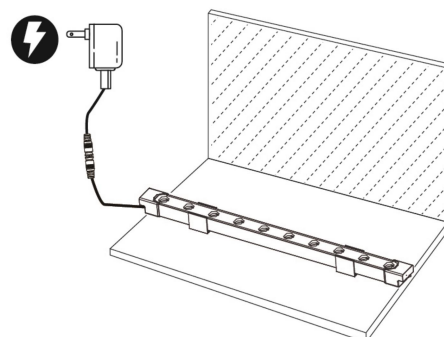
Step 4 Install the mounting clips into position with screws. Make sure the head is flush or lower the base of the channels. DO NOT screw at an angle.



Step 5 Gently push the neon into the mounting clips from one direction with palm instead of finger.

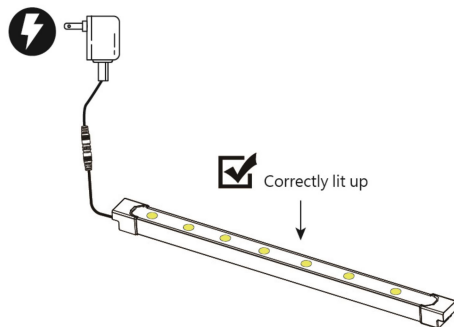


Step 6 Plug in power after installation, make sure the neon flex is correctly lit up.

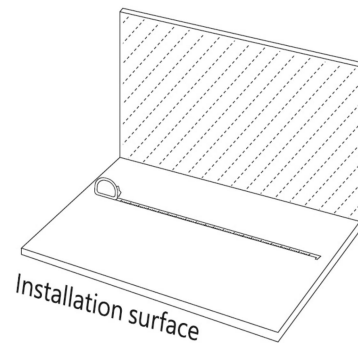


02 Installing with Straight Channel

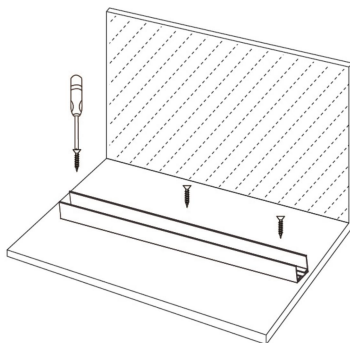
Step 1 Perform a quick light-up test. Proceed to the next step ONLY after the neon is lit up.



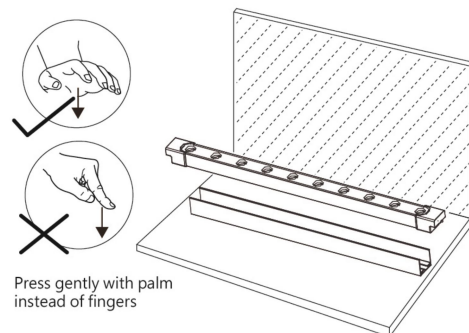
Step 2 Determine the desired location and lengths of neon to be installed. Leave enough distance for power cable to reach the power supplies.



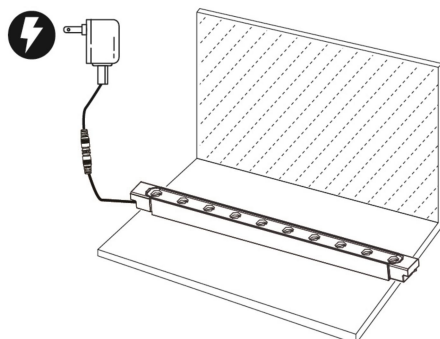
Step 3 Install the channel into position with screws. Make sure the screw head is flush or lower the base of the channels. DO NOT screw at an angle.



Step 4 Gently push the neon into the channel at the beginning of the run with palm instead of fingers and moving down the line towards the end.

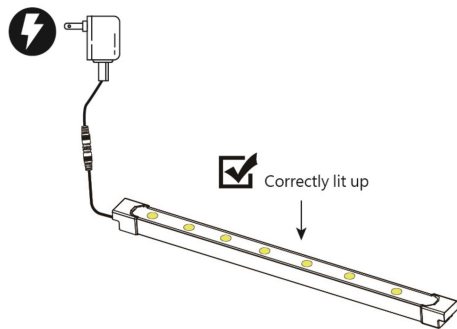


Step 5 Plug in power after installation, make sure the neon flex is correctly lit up.

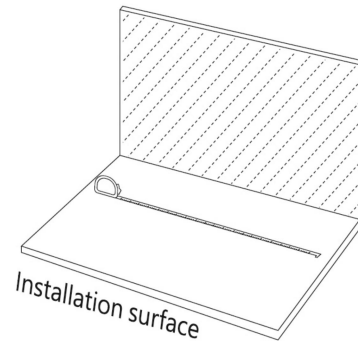


03 Installing with Adjustable Angle Clip and Mounting Clip

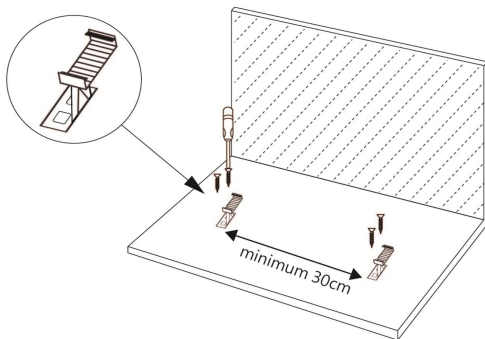
Step 1 Perform a quick light-up test. Proceed to the next step ONLY after the neon is lit up.



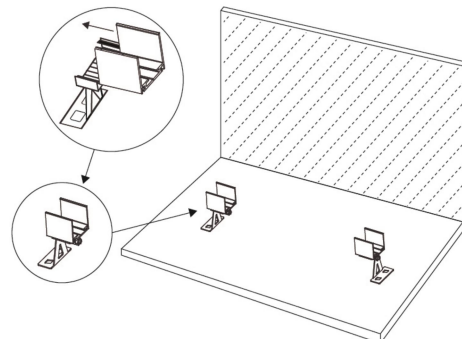
Step 2 Determine the desired location and lengths of neon to be installed. Leave enough distance for power cable to reach the power supplies.



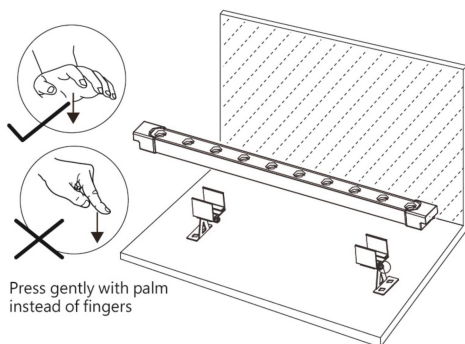
Step 3 Install the adjustable clips into position with screws. It is recommended to use ONE mounting clip for 30 cm of the neon.



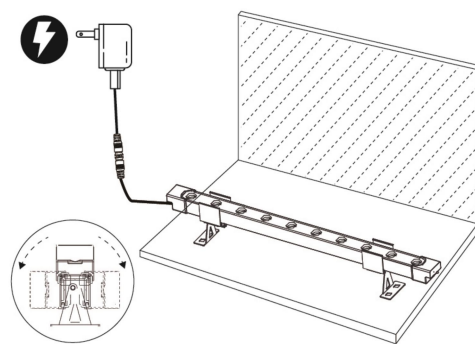
Step 4 Install the adjustable clips with mounting clips by pushing them into the groove of the adjustable clips.



Step 5 Gently push the neon into the mounting clips from one direction with palm instead of finger.

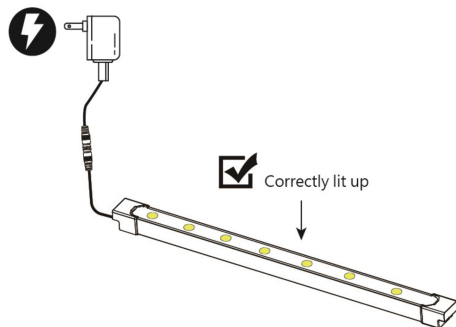


Step 6 Plug in power after installation, make sure the neon flex is correctly lit up. Adjust to the adjustable clip to a desired angle.

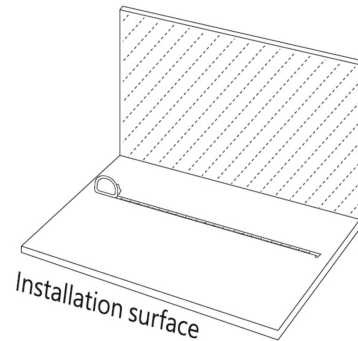


04 Installing with Adjustable Angle Clip and Mounting Channel

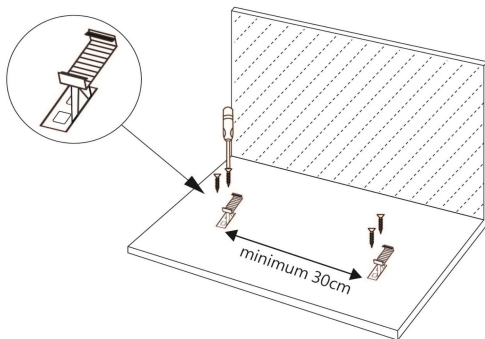
Step 1 Perform a quick light-up test. Proceed to the next step ONLY after the neon is lit up.



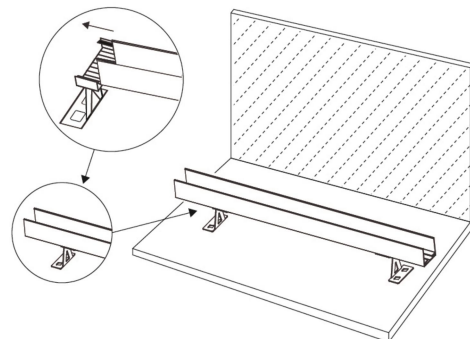
Step 2 Determine the desired location and lengths of neon to be installed. Leave enough distance for power cable to reach the power supplies.



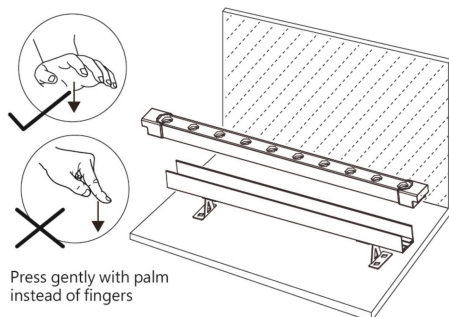
Step 3 Install the adjustable clips into position with screws. It is recommended to use ONE mounting clip for 30cm of the neon.



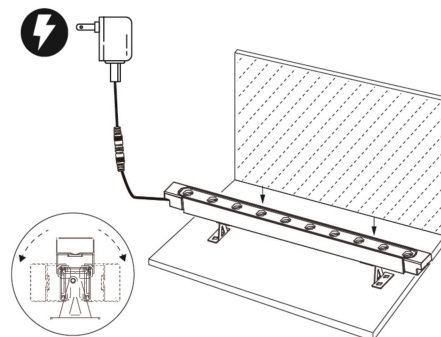
Step 4 Install the adjustable clips with mounting channel by pushing them into the groove of the adjustable clips.



Step 5 Gently push the neon into the mounting channel from one direction with palm instead of finger.



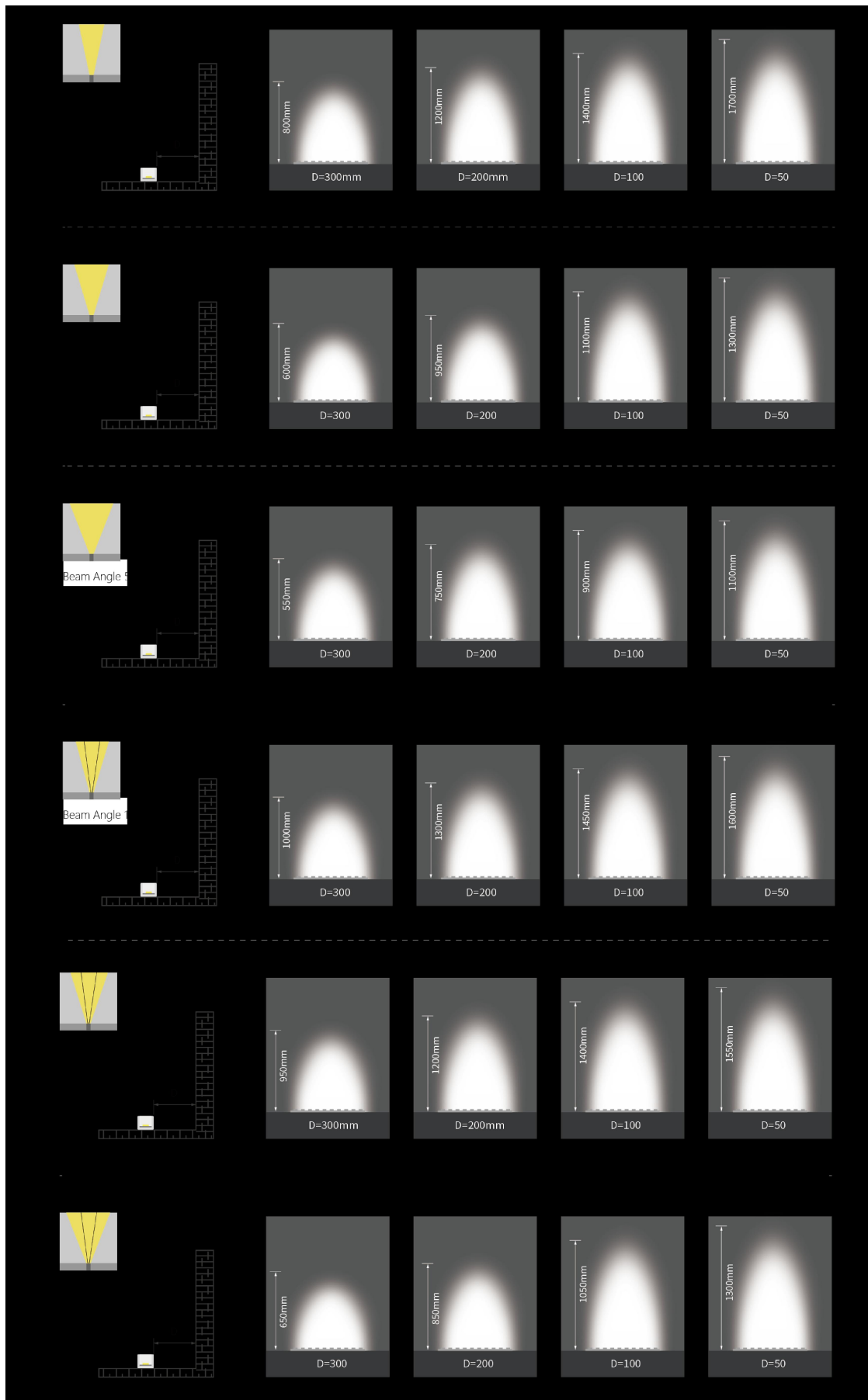
Step 6 Plug in power after installation, make sure the neon flex is correctly lit up. Adjust to the adjustable clip to a desired angle.



04 Care and maintenance

- Use soft, dry or damp cloth to clean the neon.
- DO NOT apply harsh chemicals or abrasives onto the neon.

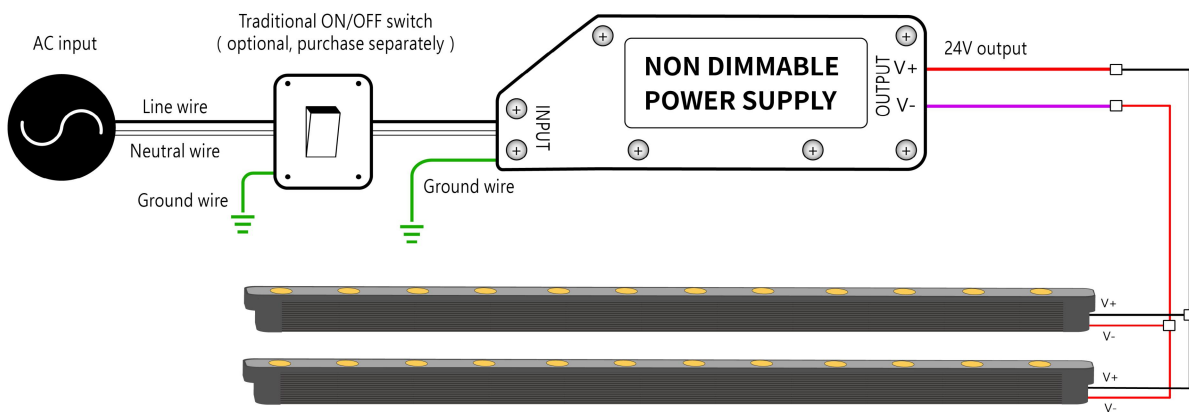
Installation Distance/Wall Washing Height



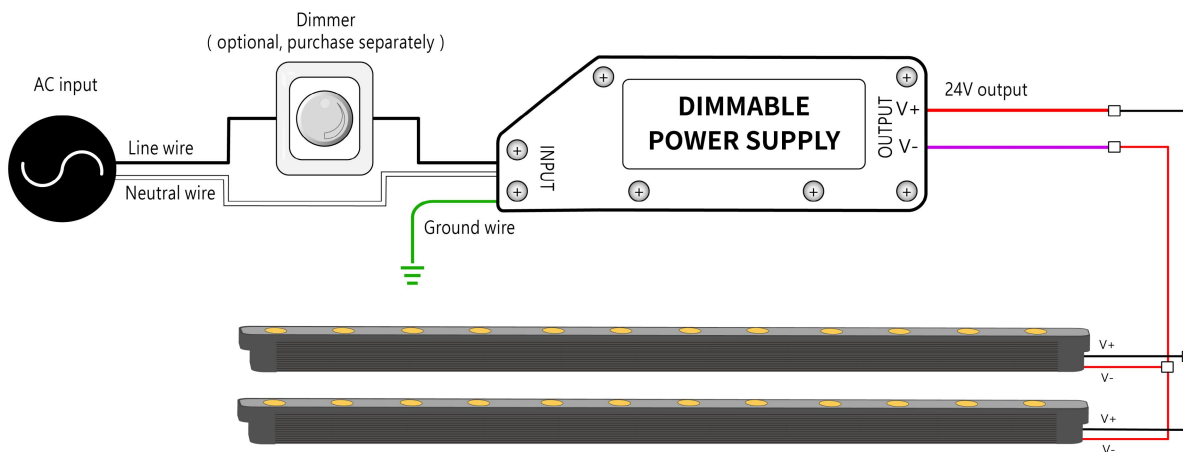
Wiring Diagram

- Note**
- Disconnect power at the source prior to attempting installation.
 - Use this product with appropriate 24V DC power supply only. Any other power supply may damage the product.
 - Always observe proper polarity.
 - Ensure to add 20% buffer when sizing power supply.
 - Ensure that the power cable carried current is no greater than 80% of its capacity.
 - To minimize the voltage drop and keep light consistency, position power supply nearest to the power feed end of the fixture and keep the power line as short as possible.
 - Prior to installing 24V DC power supply, refer to the power supply installation instruction for more information.

Non Dimmable



Dimmable



Trouble Shooting

01 The whole fixture doesn't work.

- Check whether the power supply is plugged in, switched on and receiving power.
- Check whether the fixture, decoders, controllers are connected to the power supply correctly.
- Check whether the polarity of all wire connections are connected correctly.
- Make sure power supply output voltage is 24V DC.
- Check whether the connector and end caps are inserted behind the PCB properly.

02 Light emitting appear dim or dull at one end.

- Check whether the output voltage of the power supply is lower than that of the fixture.
- Adjust the dimming level to the maximum.
- Try to power the fixture from both ends or shorten lighting length to prevent voltage drop.
- Check whether the fixture is too far away from the power supply leading to voltage drop.

03 Light emitting appear excessive brightness.

- Check whether the output voltage of power supply is higher than that of the fixture.
- Check whether the power grid is stable.

04 The first segment of the fixture doesn't work.

- Check whether the fixture is NOT cut on indicated cutting mark in a straight line.
- Cut out and remove the first segment.
- Check whether the first LED is damaged when inserting the cable connector/end cap. Cut out and remove the first segment and properly assemble again.
- Check whether there is water ingress due to poor connector/end cap assembling, leading to short circuit of first segment. Replace the length with a new one.
- Check whether there is external impact damage inside LEDs. Replace the length with a new one.

05 Fixture is flashing on and off.

- Check whether the sizing of the power supply supports the length of the fixture.
- Select the appropriate strength or install additional power supply.
- Check whether power supply output voltage is stable.
- Check whether the connector/end cap is properly installed with good contact with the copper PCB.
- Check whether proper controller is connected for light working.