

# LINIO NEON 1225 SV

Outdoor · Horizontal Bending · Field Cuttable

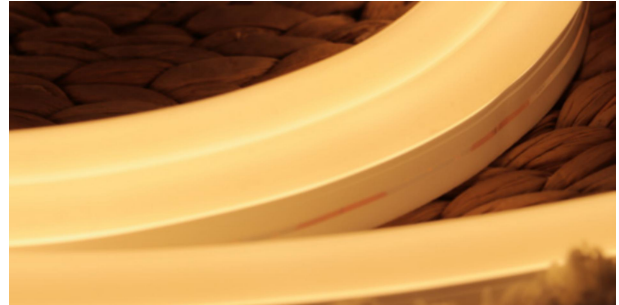
# Beamever

## Features

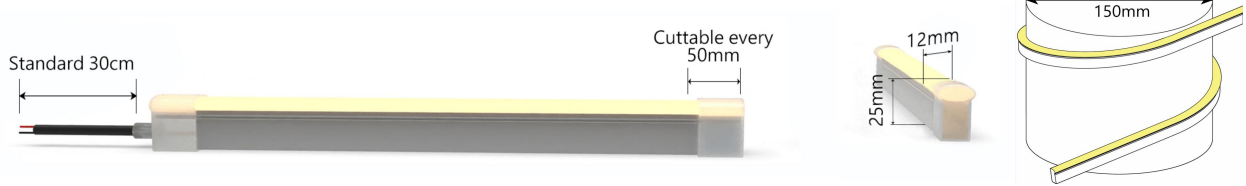
- Field cuttable & joinable
- Low voltage 24V DC
- All dimming protocols dimmable
- Max run length up to 27m from single power feed
- IP67 rated, ideal for indoor and outdoor uses
- UV stable without yellowing or cracking over time



Fixture type	
Project name	
Project phase	
Date	



## Dimension & Bending



## Physical

Dimensions	12mm x 25mm (width x height)
Bend Direction	Horizontal bending
Bend Diameter	150mm
Cutting Interval	50mm
Field Cuttable	Yes
Housing Material	Dow Corning
Housing Technique	Co-extrusion
Body Color	White
Finish	Matte
Feed Entry	Front
Feed Length	Standard length 30cm
End Cap	Silicone
Mounting	Clips or channel
Storage Temperature	-40°C(-40°F) to 60°C (140°F)
Ambient Temperature	-40°C(-40°F) to 60°C (140°F)@10W
Max. Production Length	30m

## Performance & Electrical

Voltage	24VDC (23.5Vmin, 24.5Vmax)
Beam Angle	120°
MacAdam	2 steps
Efficacy (lm/W)	32lm/W @4000K, 5W
CRI	Ra90
Lumen Maintenance	> 54,000 hours
IP Rating	IP67
Resistance	UV, solvent, saltwater, flame
Dimming	PWM, 0-10V, DMX
Control Protocol	N/A
Warranty	5 years

## Certification & Safety

Certifications	CE, RoHS, REACH, TUV, UL,CB
Environment	Dry, damp or wet locations

Lumen/m	5W	10W	15W
■ 2700K	150	290	407
■ 3000K	147	290	400
■ 3500K	157	310	433
■ 4000K	163	323	447
■ 6000K	160	317	443
Max. Run Length(m)	27	17	14

# LINIO NEON 1225 SV

Outdoor · Horizontal Bending · Field Cuttable



## Order Code

Series	Temp./Color	Power	Feed Entry	Connector Wire	End Cap	Length(mm)
LN1225SV	27=2700K 30=3000K 35=3500K 40=4000K 60=6000K	005=5W 010=10W 015=15W	FF=Front + Front FC=Front + Closed	OW=Open wire 30cm MFC=Male & female connector 30cm	SEC=Silicone end cap (IP67)	Min. - 50mm Max. - 30000m Cut Inc. - 50mm

Example: LN1225SV-30-005-FF-OW-SEC-05000

\* Customizable—Contact Beamever representatives

## Channels or clips

Code	Description
LN1225-SC	1m straight aluminium channel
LN1225-CL	Stainless steel clip (recommend 3 clips per meter)

\* For customization, please specify your demands to your Beamever representatives.

## Accessories (Optional)

Code	Description
LN1225-SEC-C	Silicone closed end cap
MFC-2P-67	Male and female connectors with 30cm cable, IP67, 2 pin
ETC-2P-67-1M	Extension Male and female connectors with 1m cable, IP67, 2 pin

\* Please refer to "Accessories options" for more models available.

## Power supplies

Code	Description
XLG-150-24-A	PSU 24V/150W IP67, Non dimmable, White
ELG-150-24B-3Y	PSU 24V/150W IP67, 3 in 1 dimming function
ELG-150-24DA-3Y	PSU 24V/150W IP67, DALI control technology

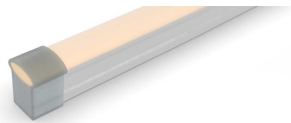
\* Please refer to "Power supplies options" for more models available.

## Note

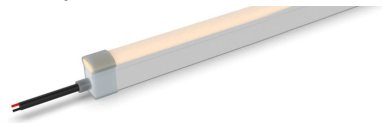
\* Leave your comments or other customized demands (if any) and contact Beamever.

## Feed Entry Options

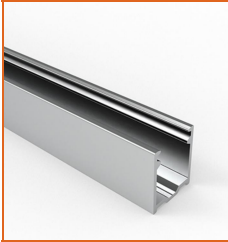
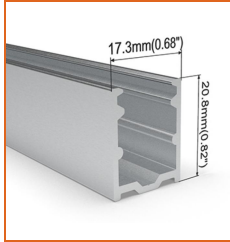
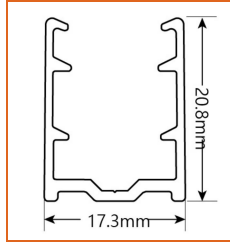
Closed feed entry (C)




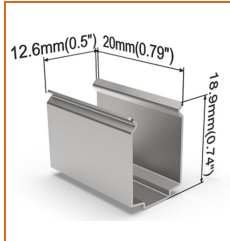
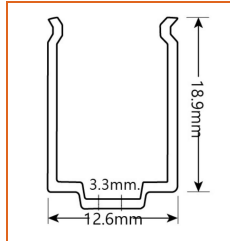
Front feed entry (F)



## Mounting Options

			Name	Straight aluminum channel
			Code	LN1225-SC
			Material	Aluminum
			Mounting style	Surface mounted
			Length	1m
			Width	17.3mm
			Height	20.8mm
			Internal width	/

\* Standard length is 1m/pcs.

			Name	Mounting clip
			Code	LN1225-CL
			Material	Stainless Steel
			Mounting style	Surface mounted
			Length	20mm
			Width	12.6mm
			Height	18.9mm

\* Recommend use 3 mounting clips for 1m of neon.

# LINIO NEON 1225 SV

Outdoor · Horizontal Bending · Field Cuttable



## Power Supplies Options

Code	Max Load	Input	Output	Dimming	Environment	Size
XLG-150-24-A	150W	100-305VAC	24VDC	Non-Dim	Dry/Damp/IP67	180x63x35.5mm (L x W x H)
ELG-150-24B-3Y	150W	100-305VAC	24VDC	3 in 1 dimming	Dry/Damp/IP67	219x63x35.5mm (LxWxH)
ELG-150-24DA-3Y	150W	100-305VAC	24VDC	DALI control technology	Dry/Damp/IP67	219x63x35.5mm (L x W x H)
LPV-150-24	150W	180-305VAC	24VDC	Non-Dim	Dry/Damp/IP67	148x40x30mm (L x W x H)
LRS-150-24	150W	85-132V / 170-264VAC	24VDC	Non-Dim	Dry	99x97x30mm (L x W x H)
PWM-120-24	120W	90 ~ 305V / 127 ~ 431VAC	24VDC	3 in 1 dimming	Dry/Damp/IP67	191x63x37.5mm (LxWxH)

\* Please refer to the spec sheet of each power supply for more detailed information

## Accessories Options



Name Silicone closed end cap

Code LN1225-SEC-C

Closed silicone end cap



Name Silicone front end cap

Code LN1225-SEC-F-2P

Silicone end cap front entry with 30cm black cable, 2 pin



Name Male and female connectors

Code MFC-2P-67

Male and female connectors with 30cm white cable, 2 pin



Name Extension connectors

Code ETC-2P-67-1M

Extension Male and female connectors with 1m white cable, 2 pin



Name Extension connectors

Code ETC-2P-67-5M

Extension Male and female connectors with 5m white cable, 2 pin



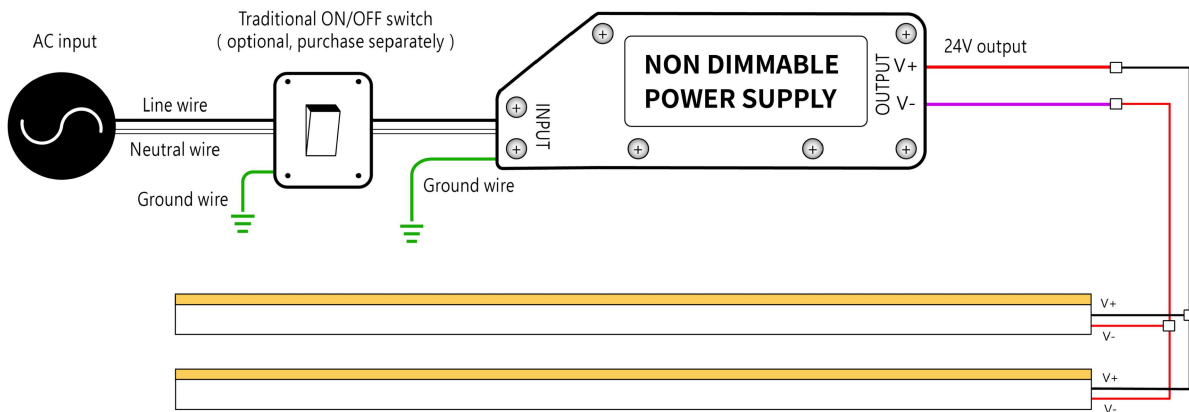
Name Silicone glue

Code SG

Silicone glue

**Wiring Diagram**

**Non Dimmable**



**Dimmable**

